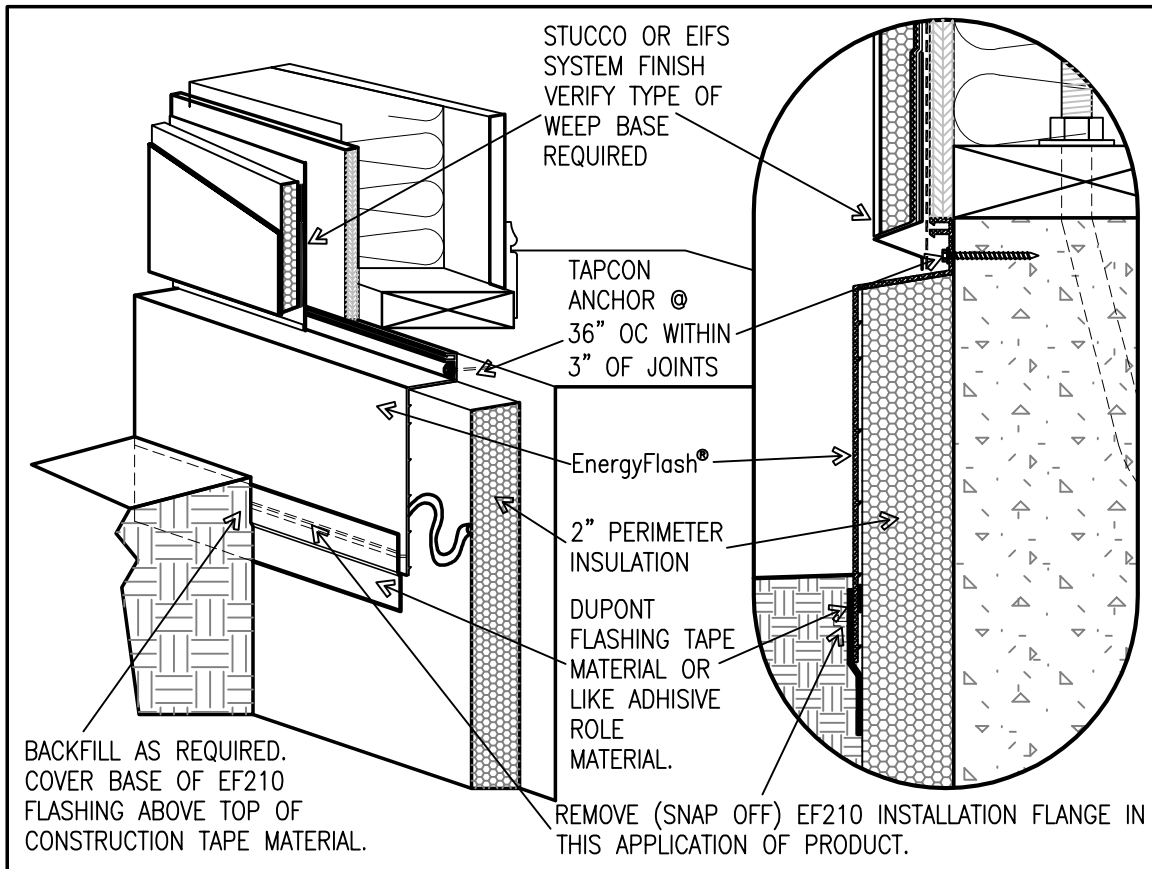


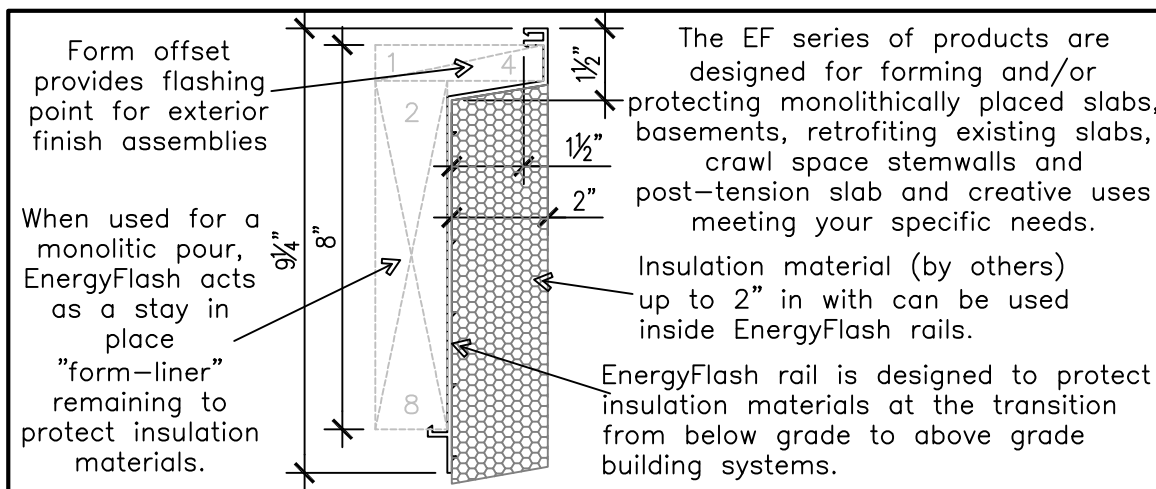
EnergyEdge RETRO-FIT APPLICATION



EF 60B RETRO-FIT APPLICATION **energy edge**

0902 SECURING MATERIAL USING FLASHING TAPE

000 SCALE: 1-1/2" = 1'-0"



GENERAL NOTES: These details are presented in good faith by EnergyEdge, LLC and represent typical and/or general conditions. They are offered as a guide for consideration to assist the designer, specifier installer and/or owner. The responsibility remains with the user for the design

and implementation of any system. For conditions not shown, consult EnergyEdge for specific recommendations. Generally, all details are available in printed and electronic file format (dwg, pdf, jpg). EnergyEdge is trademarked and Patent Pending in the United States and Canada.

